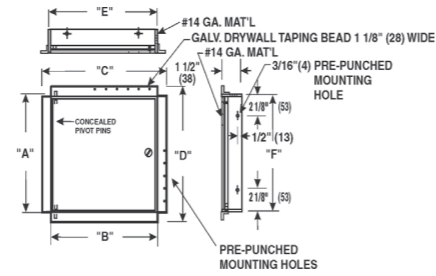


MAG-MIFAB

Access Panels



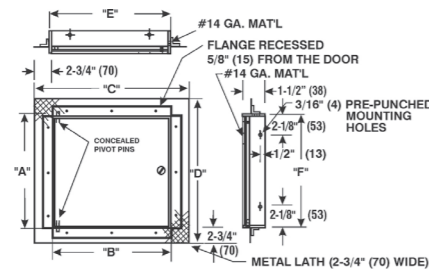
The **MIFAB® MDW** access door is designed for installation after the drywall has been applied and when a concealed outer flange is required. The outer frame has a galvanised drywall taping bead. Drywall cement can be applied over the beading at the same time as the wallboard joints and corners. Only the door is visible. It has a unique white finish.



Door Size mm	Wall Opening mm
305 x 305	317 x 317
356 x 356	368 x 368
406 x 406	419 x 419
457 x 457	470 x 470
610 x 610	622 x 622

A-B Door Size
C-D Overall Dimensions - Door Size - Plus 2 1/4" (57)
E-F Wall Opening - Door Size - Plus 1/2" (12)

Door Size mm	Wall Opening mm
305 x 305	317 x 317
356 x 356	368 x 368
457 x 457	470 x 470
610 x 610	622 x 622
914 x 914	927 x 927

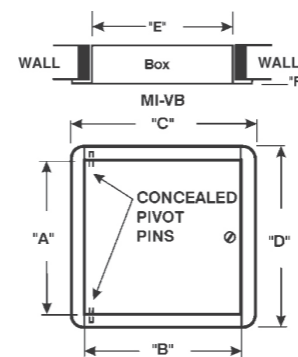


A-B Door Size
C-D Overall Dimensions - Door Size - Plus 5-1/2" (140)
E-F Wall Opening - Door Size - Plus 1/2" (12)

The **MIFAB® CAD-FL-PL** recessed door is designed for flush installation in a drywall or plaster surface. The door panel is flush with frame. When installed flush with the wall or ceiling, only the door panel is exposed. A 3" wide metal lath on all sides provides a rigid frame. A mounting bracket is recessed 5/8" from the door. It has a unique white finish.

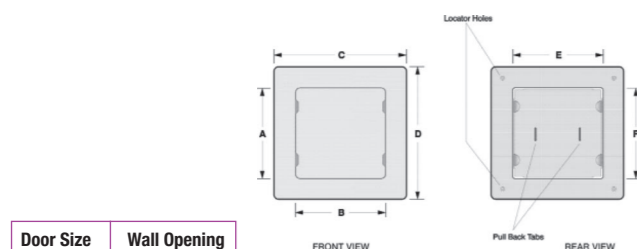


The **MIFAB® MI-VB** valve box is designed for flush installation into walls to house valves and pipes.



Door Size mm
203 x 203 x 102
305 x 305 x 102
356 x 356 x 102
356 x 356 x 203

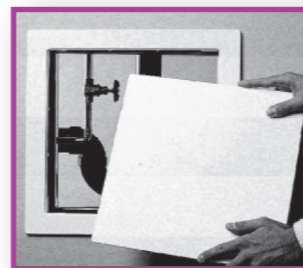
A-B Door Size
C-D Overall Dimensions - Door Size - Plus 2 1/8" (53)
E-F Wall Opening - Door Size - Plus 3/8" (9)



Door Size mm	Wall Opening mm
203 x 203	200 x 200
356 x 356	352 x 352

A-B Door Size
C-D Overall Dimensions - Door Size - Plus 3" (75)
E-F Wall Opening - Door Size - Minus 1/8" (3)

The **MIFAB® PA** plastic access door is designed to provide easy access to plumbing and cables behind walls and ceilings. The door is removable from the frame and fits tightly with snap latches. The white finish can be painted or wallpapered or left as is to match the surrounding environment. This door should not be installed near any existing or potential source of excessive heat or open flame.



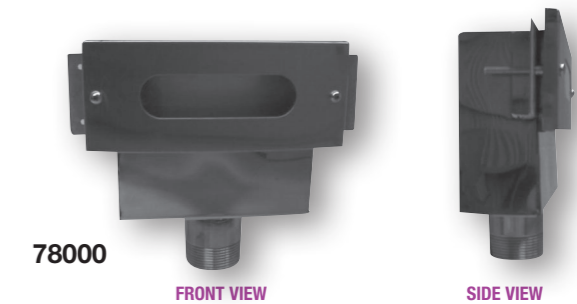
MAG

Inwall Tundish

MAG Inwall Tundish

The ideal air break. Made of 316 stainless steel to fit in fire rated walls.

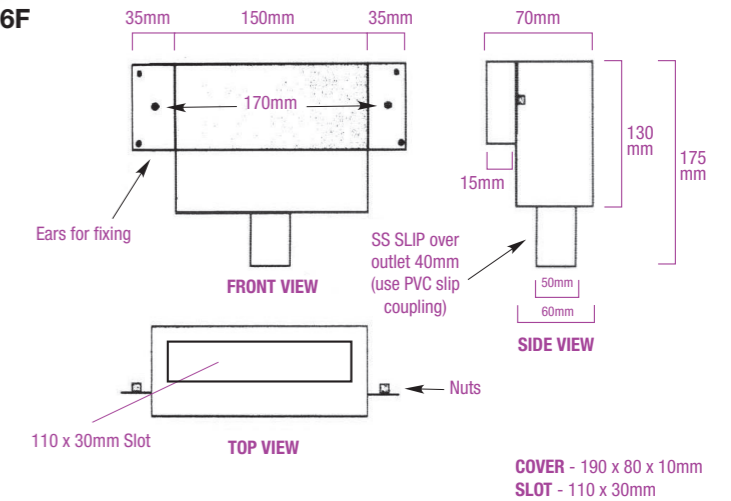
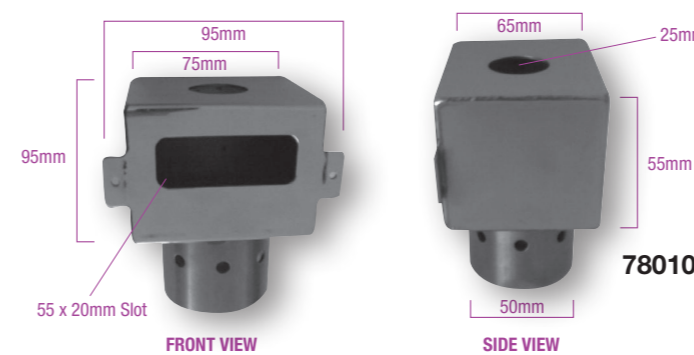
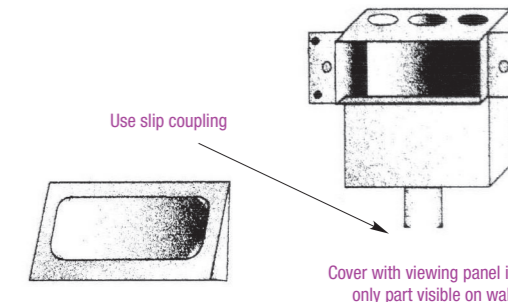
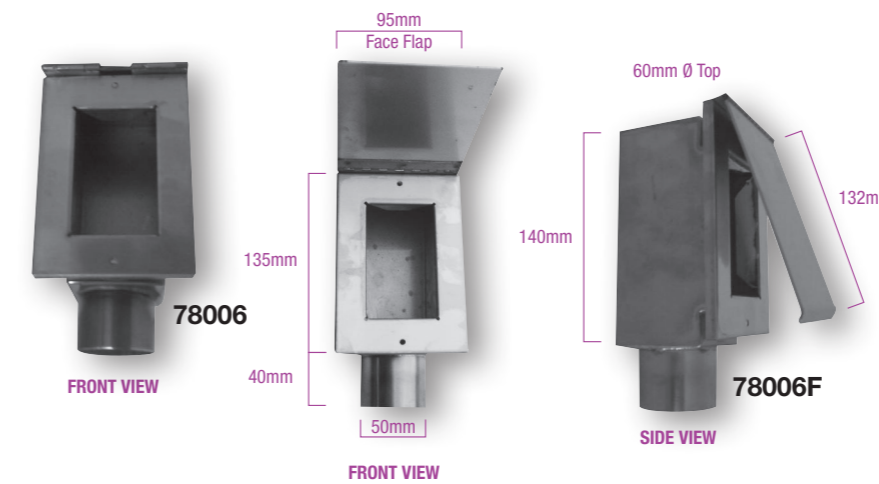
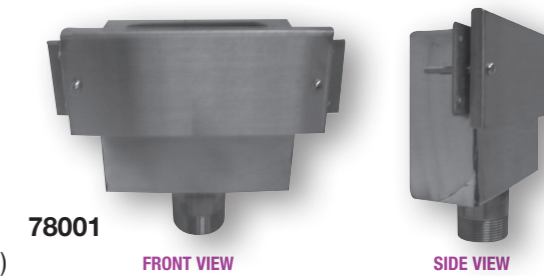
- > Easy and economical to set up for air conditioning discharges
- > Easily removed face plate
- > Can be vandal proof fitted
- > Washing machine hose discharge box
- > Face plates are available in:
 - Standard satin stainless steel with windows
 - Non windowed, powdered coated or to your special requirements



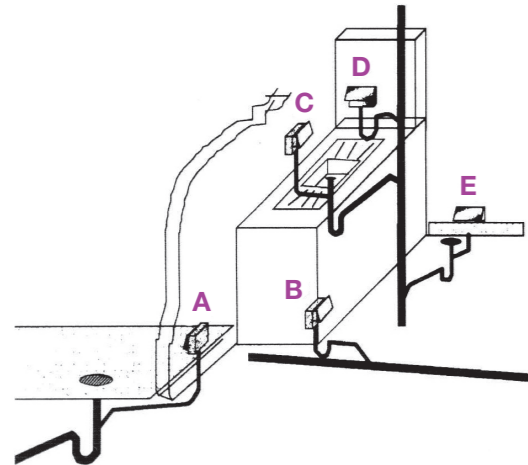
VARIOUS MODELS AVAILABLE

Product Code
No. 78000
No. 78001
No. 78006
No. 78006F
No. 78010

Description
MAG **Windowed** Inwall Tundish
MAG **Non Windowed** Inwall Tundish
MAG **Washing Machine Hose** Tundish
MAG **Washing Machine Hose** Tundish with Hinge Cover
MAG Inwall Tundish - **Suit Clipsal Cover** (supplied by others)



APPLICATIONS



- A** Connected to wet area floor waste gully.
- B** Built into toe space. Overflow to floor.
- C** Built into wall. Overflow to sink top.
- D** Built into duct or wall. Overflow to sink top.
- E** Built into wall. Overflow to floor.

MAG Inwall Tundish

Set up for current or future AC Wastes in shopping and office tenancies etc. Is also ideal for discharging to an above sink mounted IWT as the sink has **live trap**.

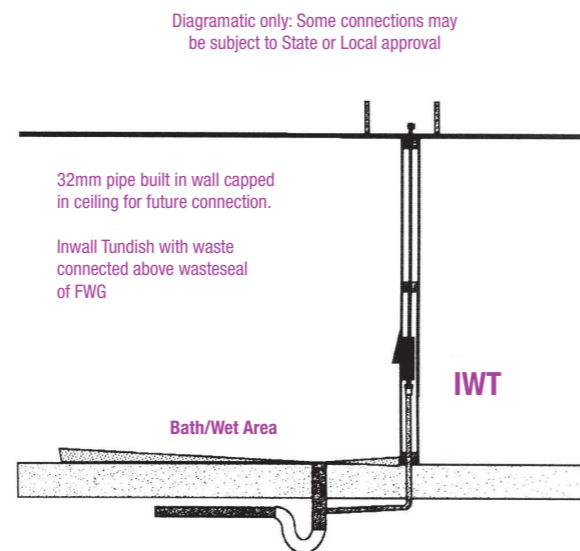
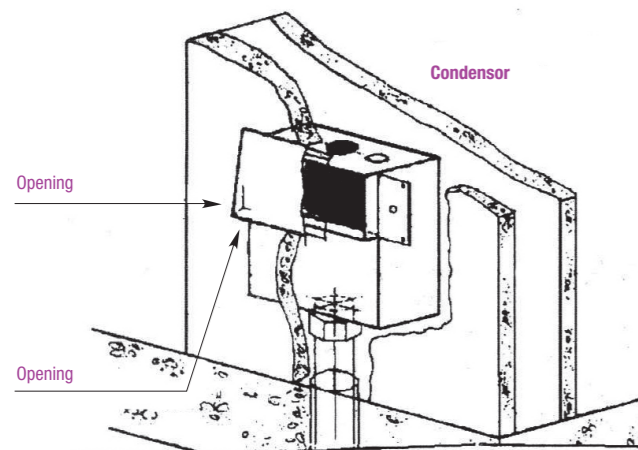
The MAG Inwall Tundish has been designed to fit into a 63mm stud wall.

The spigot or outlet fits into a slip coupling (Iplex D124404) known as a 40mm copper to PVC adaptor which is complete with a Red Coloured Rubber to receive copper sized pipe with lubricant. This slips over the outlet.

If requiring a 25mm copper outlet (e.g. to kitchen sink trap), it is best to silver braze to copper or brass using high grade 45% silver content alloys. (Refer to brazing manufacturer for details).

Wall Opening for Tundish

The cover is fitted with the opening to the bottom to allow overflow onto the adjacent surfaces



Inlet Connections

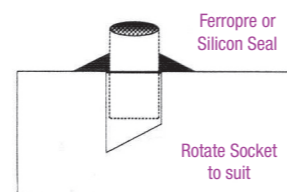
There are three inlet cut-outs in the top of the tundish, two are sealed with rubber grommets to allow for additional inlets. If not sealed with grommets, inlets should be sealed with epoxy similar to Ferropre or Silicon to prevent the entry of spiders, ants or other vermin.

The inlet pipe must be set to maintain the approved air gap. On completion of the project, test the maximum flow into the tundish to ensure that there is no splashing from the tundish.

It may be necessary to shield the inlet pipe similar to the splashing is contained within the tundish.

Pipe Sleeve

Allow to cut a socket of the pipe size to fit over the pipe and rotate to the best angle within the opening, check for splashing.

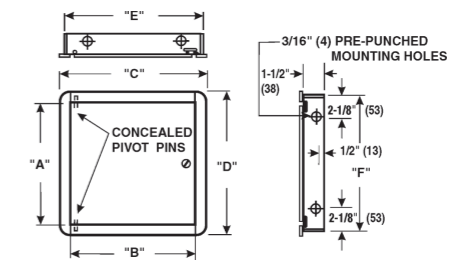


FEATURES & BENEFITS

- > Undercoat finish
- > Rigid engineered construction
- > Rounded safety corners
- > Powder coating available
- > Stainless steel available
- > Speciality locks available

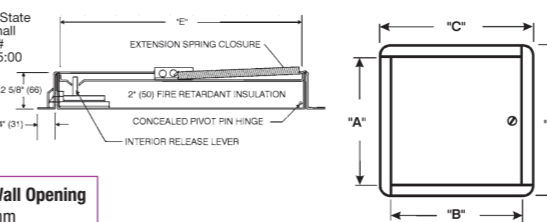


The **MIFAB® UA** is a multipurpose access door. It is designed for flush installation in drywall, block or tile, walls and ceilings. Frame features rounded safety corners, concealed hinge, flush with frame fit. It has a unique white finish. Door is formed for rigidity and safety.



Door Size mm	Wall Opening mm
305 x 305	314 x 314
356 x 356	365 x 365
457 x 457	466 x 466
610 x 610	619 x 619
914 x 914	924 x 924

A-B Door Size
C-D Overall Dimensions - Door Size - Plus 2 1/8" (53)
E-F Wall Opening - Door Size - Plus 3/8" (9)



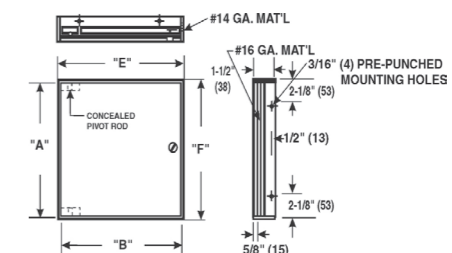
Door Size mm	Wall Opening mm
305 x 305	318 x 318
356 x 356	368 x 368
457 x 457	470 x 470
610 x 610	622 x 622
914 x 914	927 x 927

A-B Door Size
C-D Overall Dimensions - Door Size - Plus 2 5/8" (66)
E-F Wall Opening - Door Size - Plus 1/2" (13)
 (Allow an extra 1/4" (6) clearance for latch housing on "D" side).

The **MIFAB® MPFR** fire rated access door is fire rated by Underwriters Laboratories Inc., for 1 1/2 hours, "B" label in walls and is rated by Warnock Hersey for 2 hours in ceilings. The door meets ANSI-UL 10B standards. The same door can be used in walls and ceilings.



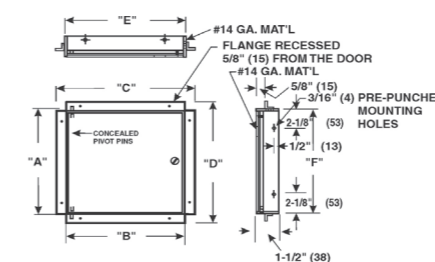
The **MIFAB® CAD** recessed access door is designed for use in acoustical, drywall, or tiled surfaces. The door panel is recessed 5/8" to allow the insertion of various types of material. Only the thickness of the door and frame edges are exposed. It has a unique white finish.



Door Size mm	Wall Opening mm
305 x 305	314 x 314
406 x 406	416 x 416
457 x 457	467 x 467
610 x 610	619 x 619

A-B Recess - Door Size - Minus 3/16" (4)
E-F Overall Dimensions - Door Size - Plus 3/8" (9)

Door Size mm	Wall Opening mm
305 x 305	317 x 317
356 x 356	368 x 368
457 x 457	470 x 470
610 x 610	622 x 622
914 x 914	927 x 927



A-B Door Size
C-D Overall Dimensions - Door Size - Plus 2 1/4" (57)
E-F Wall Opening - Door Size - Plus 1/2" (12)

The **MIFAB® CAD-FL** access door is designed for flush installation in a drywall or plastic surface. The door panel is flush with the frame. When installed flush with the wall or ceiling only the door panel is exposed. A mounting bracket is recessed 5/8" from the door. It has a unique white finish.

