

PRE-RINSE TAPS continued...



FHS 732 - 98006

Hob Mounted outlet only. With spring action gooseneck. Supplied with wall fixing bracket.



FWS 733 - 98010

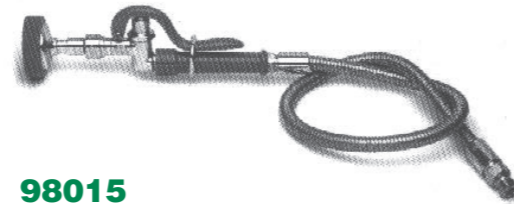
Wall Mounted outlet only. With spring action gooseneck. Supplied with wall fixing bracket.

ACCESSORIES.



98020

Add on Faucet - 6"
(12" Available - Product Code. 98021)



98015

1.2m flexible Stainless Steel hose with pre-rinse spray valve & hand grip.

COMMERCIAL TAPWARE

- PRE-RINSE
- ELECTRONIC AUTO TAPS
- KNEE VALVE

MAG KV 730 TIMED FLOW KNEE VALVE

For Economy and Handwashing Convenience in High Hygiene areas and for the Disabled.

Product Code: 49009

Knee Valve Only

Product Code: 49010

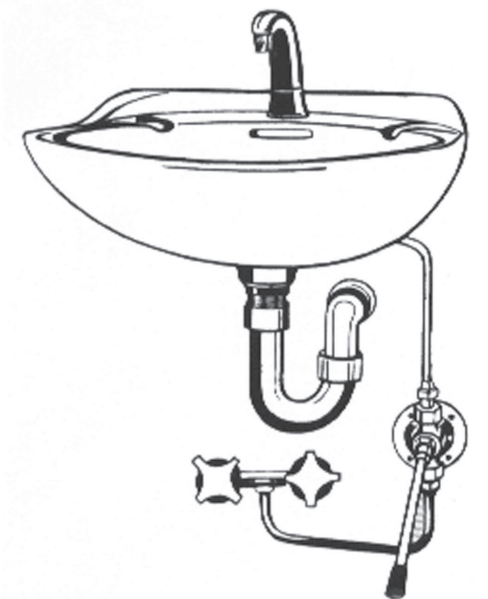
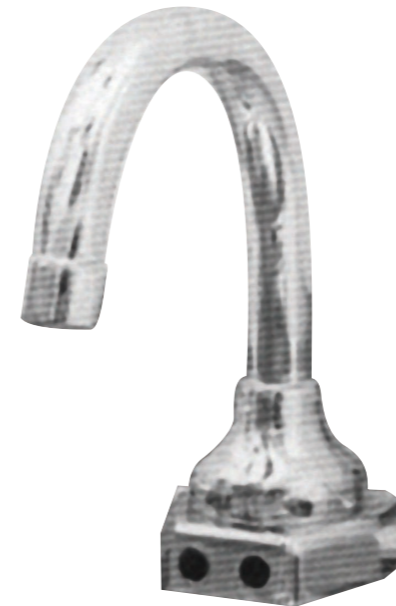
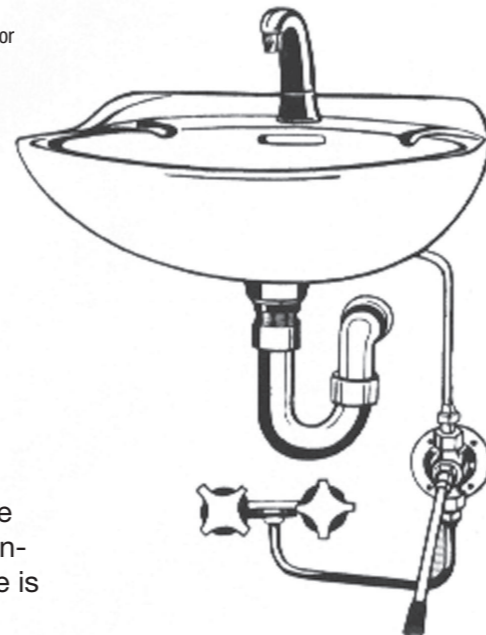
Knee Valve Auto Tap Kit: 2 Mini-Stops, Outlet & Flexi Connector

- Mechanical operation - easy to maintain.
- Cartridge design for ease of service.
- Pressure range: min. 50kPa
max. 350 kPa
- Time Delay - Non Adjustable.

FEATURES

Simple Operation

The flow cycle is actuated by deflection of the lever in any direction from the rest position. The flow rate is constant and automatically turns off with a non-concussive action after a period of approximately 10 seconds. The full cycle is reactivated each time the flow lever is deflected.



SENSORFLOW I

WALL MOUNTED

The Sensorflow I is a single temperature water control unit. The waterflow is controlled by a solenoid valve from a 240/24 volt power pack.

There are multiple time cycle choices, one of which is selected at the time of installation.

Sensorflow systems can be connected to any standard sprout or outlet

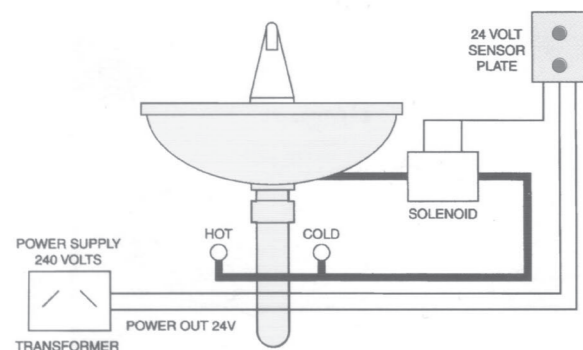
PRODUCT CODE: 24003



HOW THE SENSORFLOW I SYSTEM WORKS

Pass a hand or object in front of the sensor. Immediately there will be a flow of water, which will continue for the preselected time. The flow of water may be stopped at any time by passing a hand or object over the sensor again. Max. Water Pressure 350kPa

SENSORFLOW I SCHEMATIC



SENSORFLOW II

BASIN OR BENCH MOUNTED

The Sensorflow II is a single temperature basin or bench mounted tap. It has a waterproof sensor onto which a spout is fixed. The water flow is controlled by a solenoid valve from a 240/24 volt power pack.

PRODUCT CODE: 24001

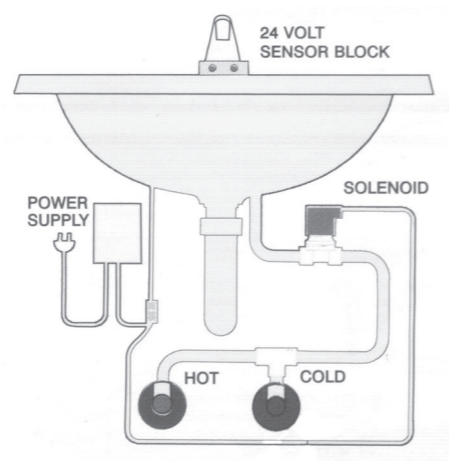


HOW THE SENSORFLOW II SYSTEM WORKS

Put hands directly under the outlet of the spout at the level of the sensor. Water will flow for a maximum of 20 seconds. Should hands be removed while soaping, the water flow will stop and will only restart when they are directly under the outlet again. To clean the basin without activating the waterflow, quickly wipe past the sensor range with a cleaning cloth.

Max. Water Pressure 350kPa

SENSORFLOW II SCHEMATIC



STANDARD PRE-RINSE UNITS WITH SPRING-ACTION GOOSENECK

These Pre-Rinse units are the industry standard for heavy-duty commercial use. They are suited for a wide variety of applications.

Water Pressure:
Max. Pressure 500kPa

* *Warranty void if pressure exceeds 500kPa*



FHS 716 - 98004

Hob Mounted with overhead spring action gooseneck. Supplied with wall fixing bracket.



FWS 719 - 98008

Wall mounted with overhead spring action gooseneck. Supplied with wall fixing bracket.



FHS 725 - 98001

Hob Mounted with overhead spring action gooseneck. Supplied with wall fixing bracket.



FHS 729 - 98005

Hob Mounted with spring action gooseneck. Supplied with wall fixing bracket.



FWS 730 - 98009

Wall Mounted with spring action gooseneck. Supplied with wall fixing bracket.