

# MAG-MIFAB

## Trap Priming Valves

**PROVIDES A CONSTANT WATER SEAL  
IN FROM 1-10 FLOOR DRAIN TRAPS**



### FUNCTION

The priming valve is automatically activated when it senses a pressure drop of 21kpa (3psi). The minimum line pressure is 140kpa - max 560kpa (20psi to 80psi).

- > No adjustments required
- > No air precharge is required
- > Supplied with sediment filter
- > Fully serviceable
- > Australian Standards Approved Lic No IP082
- > Complies to AS/NZS4020

### HOW TO SPECIFY

#### SINGLE FLOOR DRAIN TRAP

##### MAG-MIFAB MR-500 / MRA500 Trap Priming Valve

With a pressure drop of 21kpa (3psi), replaceable sediment filter, cartridge tubes to be interchangeable, air gap to have 4 view holes, with no air precharge.

#### MULTI FLOOR DRAIN TRAP

##### MAG-MIFAB MI-500 / MIA500 Trap Priming Valve

With a pressure drop of 21kpa (3psi), replaceable sediment filter, cartridge tubes to be interchangeable, air gap to have 4 view holes, with no air precharge.

2-4 Traps	Specify One	MAG-MIFAB MI DU 2/4 UNIT
4-8 Traps	Specify Two	MAG-MIFAB MI DU 4/8 UNIT
8-10 Traps	Specify Three	MAG-MIFAB MI DU 8/10 UNIT

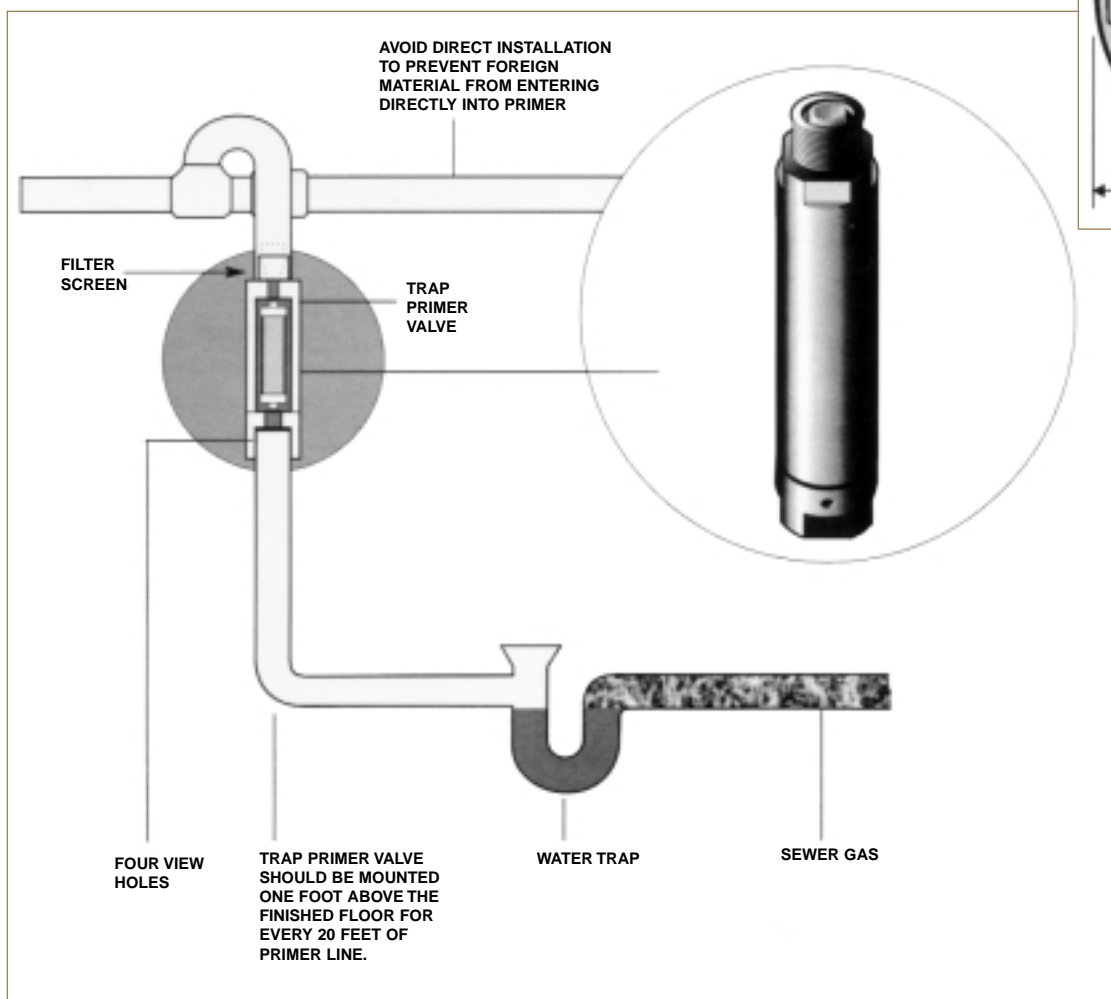
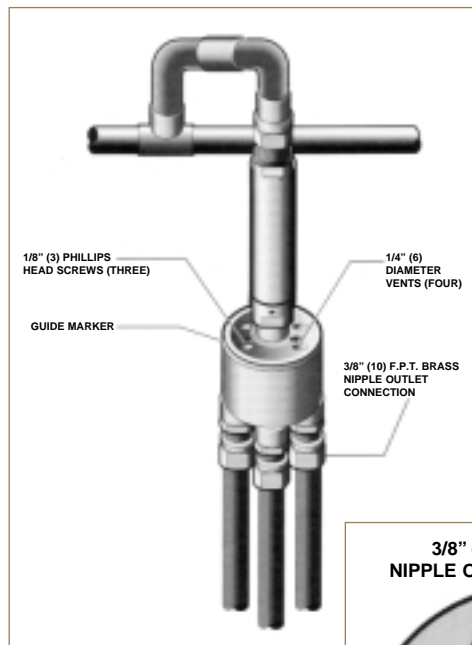


# MAG-MIFAB

## Trap Priming Distribution Units

The **MAG-MIFAB MI-DU** Distribution Unit is designed to receive a metered amount of water from the priming valve and distribute it equally to either 2-10 floor drain traps.

No of Drains	Primer Model	Distribution Unit Required
1	MR-500	NIL
2-4	MI-500	MAG-MIFAB MI DU 2/4
4-8	MI-500	MAG-MIFAB MI DU 4/8
8-10	MI-500	MAG-MIFAB MI DU 8/10



Bottom View