

EAF-275

Description

Solar Powered, Sensor Activated Electronic Hand Washing Faucet for pre-tempered or hot and cold water operation.

Flow Rate

□ 0.5 gpm/1.9 Lpm Aerator Spray Head

ELECTRICAL SPECIFICATIONS

Control Circuit

6 VDC — Includes Auto Set and Range Adjustment LED

Sensor Range

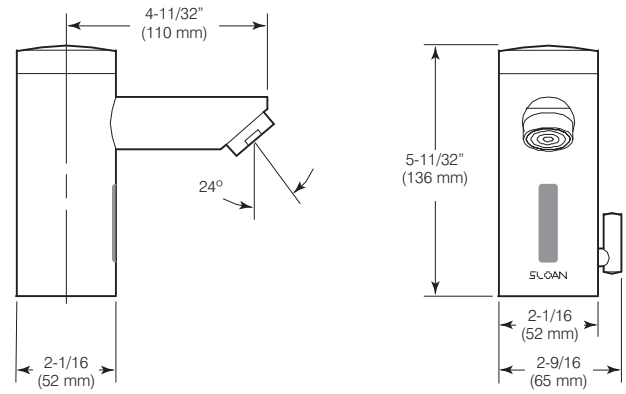
Nominal:
4" - 5" (102 mm - 127 mm)
Faucet Adaptive Self-adjustment Range:
2" - 14" (51 mm - 356 mm)
nominal

Power Supply

6 VDC Solar Energy Module with 6 VDC Lithium Battery Back-up Power Source

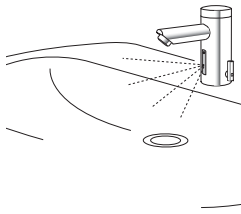
Time Out Setting

3 minutes — Maximum time faucet will run upon continuous detection

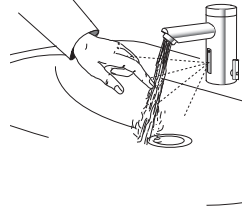


OPERATION

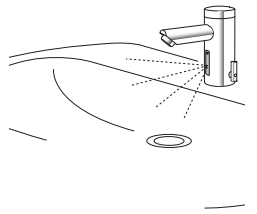
1. A continuous, invisible light beam is emitted from the Sensor located at the front of the hand washing faucet.



2. As the user's hands enter the beam's effective range, the beam is reflected back into the Sensor Receiver and activates the solenoid valve allowing water to flow from the faucet. Water will flow until the hands are no longer sensed or until the faucet reaches its automatic time out limit setting.



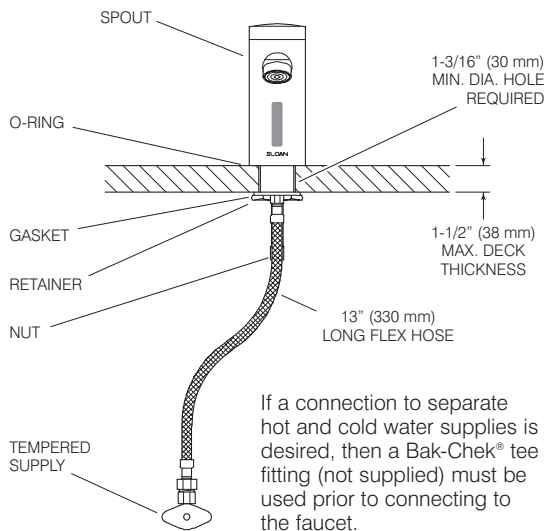
3. When hands are moved away from the Sensor, the loss of reflected light initiates an electrical signal that deactivates the Solenoid Valve shutting off the water flow. The Circuit then automatically resets and is ready for the next user.



ROUGH-IN

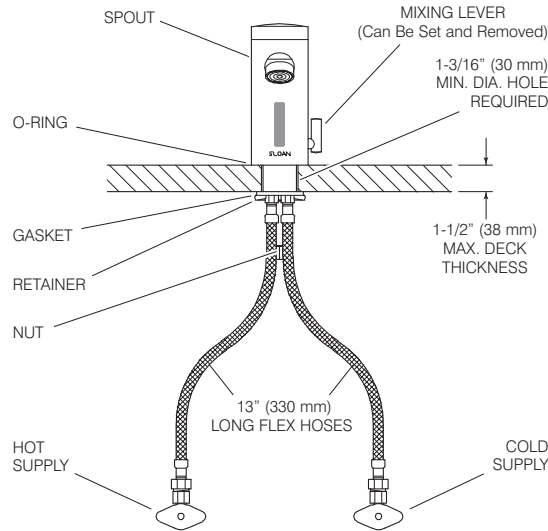
EAF-275

Faucet with Single Line Water Supply



EAF-275-ISM

Faucet with Hot and Cold Water Supply



When the EAF faucet is installed on a sink that has three (3) hole punchings, a Trim Plate should be used.

Trim Plates must be specified and ordered separately:

ETF-312-A

Trim Plate for 4" (102 mm) Centerset Sink

ETF-510-A

Trim Plate for 8" (203 mm) Centerset Sink

SLOAN VALVE COMPANY • 10500 SEYMOUR AVENUE • FRANKLIN PARK, IL 60131

Phone: 1-800-9-VALVE-9 or 1-847-671-4300 • Fax: 1-800-447-8329 or 1-847-671-4380 • www.sloanvalve.com